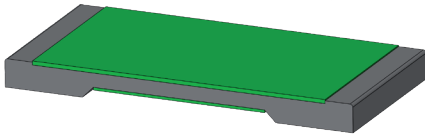




ISA-PLAN® // PRECISION RESISTORS



SMS-R000 // Size 2512



Features

- 2 W power rating at 120 °C
- Constant current up to 100 A
- Standard pad size (2512)
- Mounting: Reflow-, and IR-soldering
- AEC-Q200 qualified
- RoHS 2011/65/EU compliant



Applications

- Jumper
- Multiple usage of the layout

Technical data

Resistance values	mOhm	<0.2
Temperature coefficient (20-60 °C)	ppm/K	approx. 3800
Applicable temperature range	°C	-65 to +170
Power rating	W	2
Dielectric withstanding voltage	V (AC/DC)	50
Inductance	nH	<3
Current	A (AC/DC)	100

Ordering code

SMS - R000

..... Resistance value [Ohm] / "R" represents decimal point
 Type

Disclaimer // All products, product specifications and data are subject to change without notice.

The product specifications do not expand or otherwise modify Isabellenhütte's terms and conditions of sale, including but not limited to, the warranty expressed therein. Isabellenhütte makes no warranty, representation or guarantee other than as set forth in its terms and conditions of sale.

Information provided in datasheets and/or specifications may vary from actual results in different applications. Any statements made by Isabellenhütte regarding the suitability of products for certain types of applications are based on its knowledge of typical requirements that are often placed on its products. It is the customer's responsibility to validate that a particular product with the properties described in the product specification is suitable for use in the application intended. No license, express or implied, or otherwise, to any intellectual property rights is granted by this document. Any and all liability arising out of the application or use of any product shall be as set forth in Isabellenhütte's terms and conditions of sale.



SMS-R000 // Size 2512

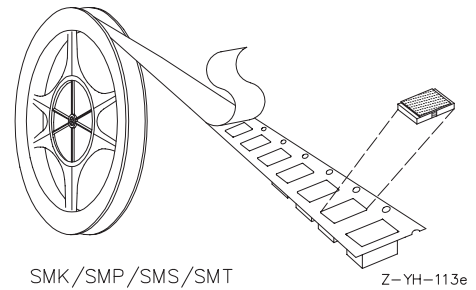
Recommended solder profile

Reflow- and IR-soldering

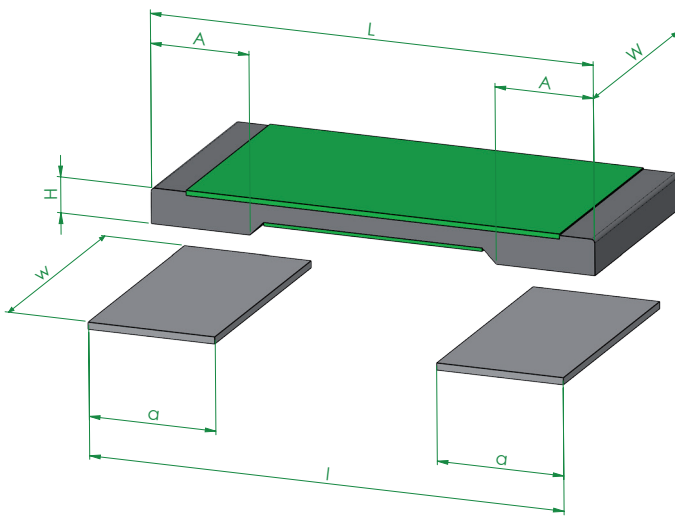
Temperature	°C	260	255	217
Time	sec	peak	40	90

Tape and reel information

Specification	DIN EN 60286-3			
Tape width	mm	12		
Reel size	inch	13		
Parts per reel	pcs	9000		
Packaging weight	g	539		



Mechanical dimensions and pcb-layout proposal (Reflow-soldering) [mm] // Z-YE-663b



type:	L	W	A	H
SMS	6.35 ±0.2	3.05 ±0.15	1.4 ±0.2	0.5 ±0.15

solder pad type:	l	a	w
SMS	6.75	1.8	3.45

