



IEM-DCR

HIGH PRECISION DC ENERGY METER

ISAscale® Energy Meter – DC charging

INTRODUCTION

The IEM-DCR represents the second generation of precise DC energy metering by Isabellenhütte. It complies with the German measurement and calibration law. The portfolio consists of a display unit and two sensor unit options which allow to serve applications of various sizes and power ratings in charging infrastructure and utility domains. The combination of the display unit and one of the sensor units (SU) comprises the IEM-DCR models. The SU-1000 as a standalone is available as the IEM-DCS 1000.



APPLICATIONS

- Public charging infrastructure
- From DC wall box to HPC and MCS
- Smart metering and utility applications
- IoT applications

FEATURES

- Certifications
 - MID (EN 50470)
 - Type examination according to German calibration law
 - LNE
 - UL
- "CAN-Info" interface with output of real-time data (temperature, current, voltage, energy)
- Rated current: 125 A / 1,000 A
- Rated voltage from 1,000 to 1,500 V
- DIN rail & busbar connection possible
- Interfaces
 - RJ45 (OCMF)
 - RS485 (SML v.1)

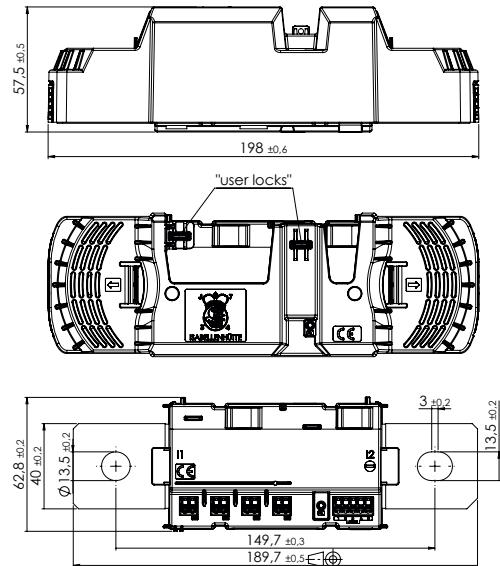
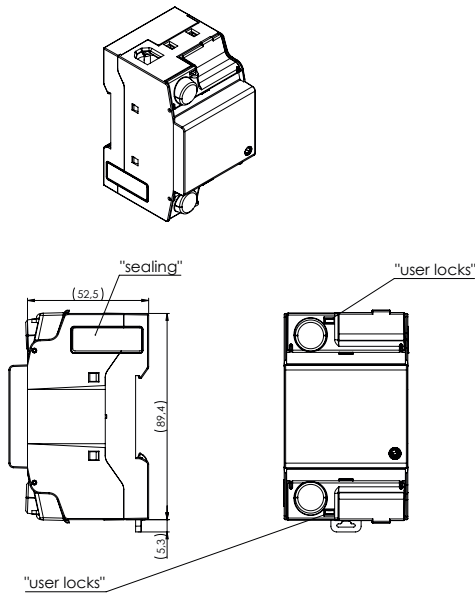
IEM-DCR 125



IEM-DCR 1000



TECHNICAL DATA



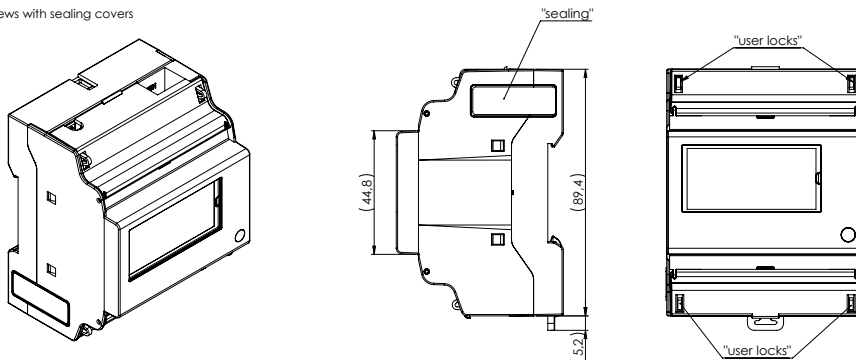
SU-125

Description	Value
Rated current	125 A
Rated voltage	1,000 V
Number of voltage channels	2
Power path	35 mm ² with ferrule 50 mm ² without
Mounting	Din-Rail, 3 modules (54 mm)
Max. terminal temp.	105 °C

SU-1000

Description	Value
Rated current	1,000 A
Rated voltage	1,500 V
Number of voltage channels	4
Power path	shunt 40x4 mm
Mounting	busbar, M12
Max. terminal temp.	105 °C

Views with sealing covers



DISPLAY UNIT

Description	Value	Unit
Power Supply Voltage	12 - 24	V
Physical Interfaces	RJ45 (Ethernet), Terminal: CAN Info, RS485 (SML)	
Terminal Connectors	1.5	mm ²
Display Size	47.98 x 18.22	mm
Display Resolution	128 x 64	
Mounting	Din-Rail, 4 modules 72	mm
Max. Ambient Temp.	-25 to 70	°C